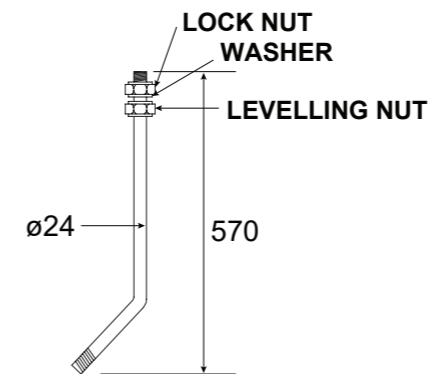


1) DESIGN CONDITIONS

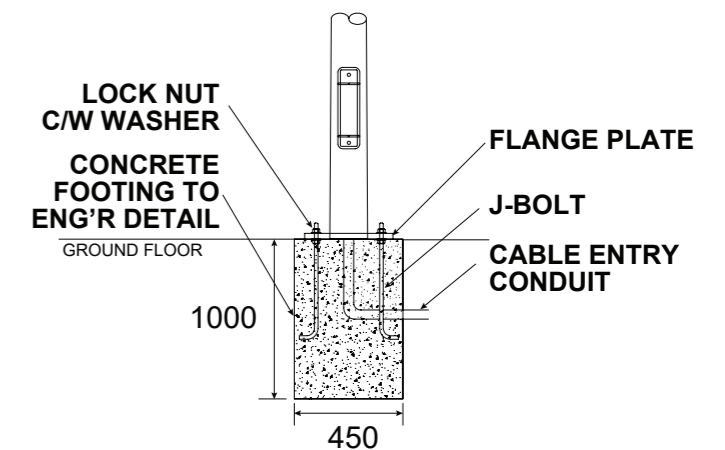
1.1 Basic Wind Speed : 35 m/s

2) STANDARDS

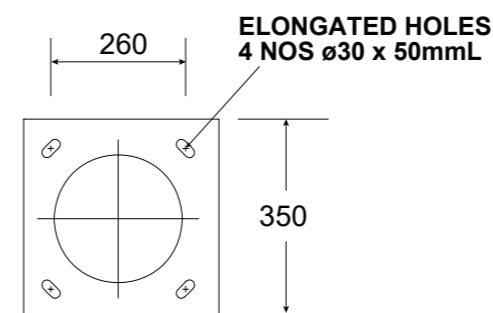
2.1 Pole Design : BS EN 40
 2.2 Material : BS EN 10210, BS EN 10025
 2.3 Welding (Electric Arc Welding) : BS EN 1011
 2.4 Galvanizing : BS EN 1461:1999
 2.5 Powder Coating : BS EN 13438:2005
 2.6 QMS : ISO 9001:2008
 2.7 SIRIM Galvanized Test : >55mm



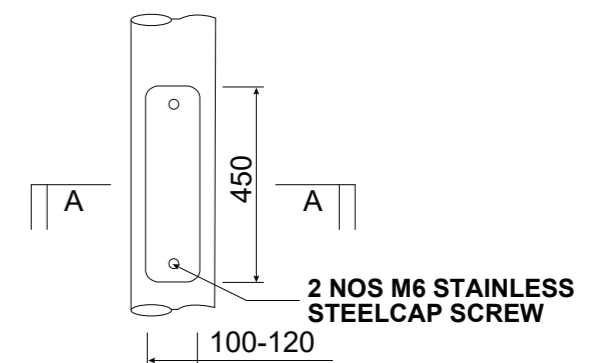
J-BOLT



FLANGE MOUNTED TYPE



FLANGE PLATE



SERVICE DOOR DETAIL

NOTES:
 Unless otherwise stated: All dimensions are in millimeters.
 All dimensions must be checked and verified on site before commencing any work or producing shop drawings.
 On no account may this drawing be scaled. Any discrepancy in figured dimensions (or otherwise discrepancies between Architectural/Structural and Mechanical and Electrical drawings) is to be reported immediately to the Architects or Interior designers before commencement of works.
 This drawing is a property of Oversea Lighting & Electric (M) SDN BHD and we reserve the copyright to all our designs which cannot be reproduced (whether part /whole) or modified without first obtaining our written consent.

This proposal and the information contained here in is the sole property of OVERSEA LIGHTING & ELECTRIC (M) SDN BHD, is strictly confidential and must not be used or disclosed without the written consent of the company.
 Any reproduction must obtain an approval from the company.

PROJECT : SETIA FONTAINES
TITLE : DRAWING POLE - 10M - 2.5M DOUBLE ARM - FLANGED TYPE
LOCATION :
PRODUCT CODE : PL582/OLE ROUND POLE/H10/D2.5/FT/2018-05

CLIENT:
* ALL DIMENSION IN MILIMETER (MM)

SCALE:	AS SHOWN
DRAW/SIZE:	A3
SHEET:	4 of 6
UNIT:	METRIC
FORM:	OLE/DS/F01

J/S NO.:	JS 3389
ISSUE:	1
REVISION:	R1
DATE:	21/05/2018

DRAWN BY:	SYAHIRAH
CHECK BY:	RAY LEONG (BUSINESS DEVELOPMENT EXECUTIVE)

SIGNATURE/DATE	21/05/2018
----------------	------------



OVERSEA LIGHTING & ELECTRIC (M) SDN BHD
 Lot 6595, Jalan KP12B,
 Kawasan Industri Kampung Baru Balakong,
 43300 Seri Kembangan, Selangor Darul Ehsan, Malaysia.
 Tel: +603 8964 1888 | 8964 1878 | 8964 1899
 Fax: +603 8964 1868
 E-mail: info@oversealighting.com